

FORD RANGER MOBILE MAINTENANCE VEHICLE



VEHICLE SUMMARY

A heavy duty, pickup based, mobile maintenance vehicle for all terrain with a range of flexible equipment packages mounted in six lockable compartments designed to prevent water and dust ingress and available for unsupported operations in challenging environments and remote locations.



Vehicle Details

Manufacturer	Ford
Model	Ranger Single Cab
Engine type	Turbo Diesel 2.2L TDCi
Power (kW/PS)	88/120 @ 3,700 rpm
Torque (Nm)	285 @ 1,750-2,300 rpm
Drivetrain	4X4
Transmission	5-speed manual
Fuel tank capacity	80L
Wheels	16" steel wheel
Tires	All terrain

Dimensions of Modified Vehicle (mm)

Length	5401
Width	1880
Height	2023
Angle of approach (°)	30
Angle of departure (°)	30.3
Wheelbase	3220
Track width	1560
Ground clearance	201
Turning circle (m)	12

Weight Table (kg)

Base vehicle unladen kerb weight	1880
Modified vehicle unladen kerb weight	2595
1) Front axle	1243.4
2) Rear axle	1351.6
Payload capacity	605
Gross modified vehicle weight	3200

Contact Global Fleet Sales for more information or a quotation.
 ✉ inquiries@globalfleetsales.net 🌐 ford.globalfleetsales.net

MEMBER OF RMA GROUP



MODIFICATION FEATURES

RMAA_20042016



Front protection bull bar



Interior storage for large equipment



Multiple storage lockers with easy access to equipment



Lockable doors



Multiple storage lockers

STANDARD FEATURES

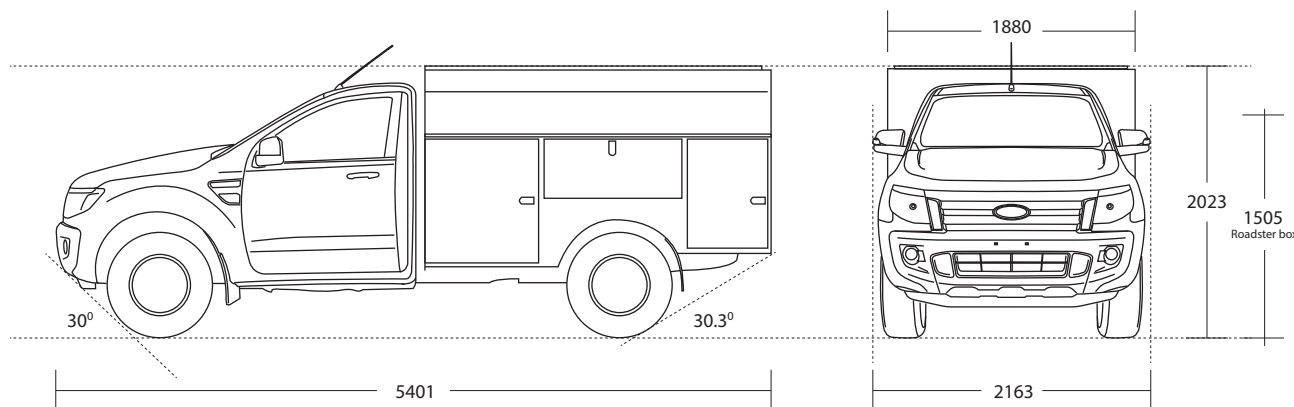
- Multi purpose service body
- Lockable roller shutter side and rear door
- Interior lighting & tail lights (maintenance)
- Enhanced handling suspension package (high load)

- Enhanced fuel filtration system (warm climate)
- Deep cycle battery (split charge, maintenance)
- Fire extinguisher (1kg, cabin mount)
- Safety kit 1 (First aid kit & warning triangle)

OPTIONAL FEATURES

- Air compressor
- Air intake snorkel
- Amber beacon light (roof mount)
- Bull bar
- Crane (maintenance)
- Electric front winch (10,000 lbs or 4,500 kg)
- Fire extinguisher (1kg, cabin mount)
- Gas cutting & welding equipment
- Grease pump
- Heavy duty battery
- Heavy duty brake discs & pads (front)
- Heavy duty side rails

- Heavy duty side steps
- Hi-lift jack
- Long range fuel tank (115L)
- Oil tank (60L)
- Power welder generator (fixed)
- Recovery pack
- Tool set (157 multi-piece)
- Tool set (socket wrench set)
- Tow bar (ball/ball-pintle/pintle)
- Vice (maintenance body)
- Water tank (29L)



Notes:
The company reserves the right to change the vehicle specifications and features described in this publication at any time.
Vehicle specifications and features may vary in different markets.
Images are for illustrative purposes only and may appear different to the actual vehicle.

Contact Global Fleet Sales for more information or a quotation.
✉ inquiries@globalfleetsales.net 🌐 ford.globalfleetsales.net

MEMBER OF RMA GROUP

